

Rotary Encoder MES-6-PC Series

7.5-mm-dia. Incremental

Ultra-compact Optical Rotary Encoder

Ordering Code

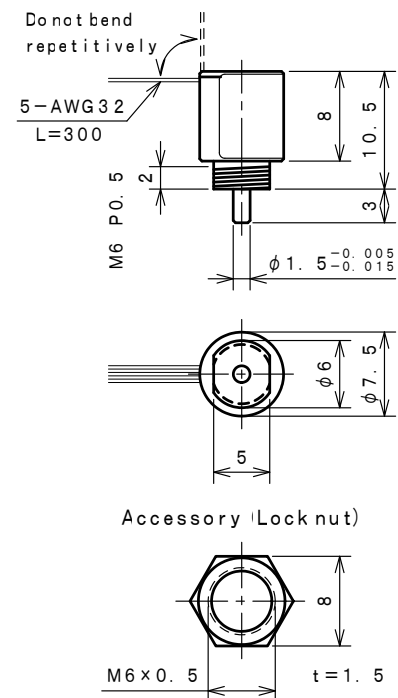
MES-6- PC
Resolution (pulses/revolution)

Specifications

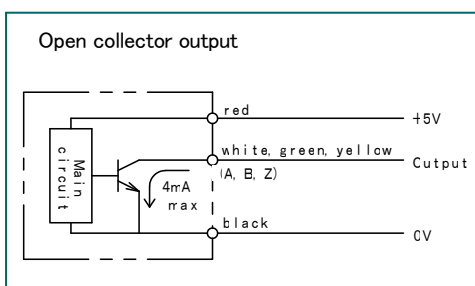
| Item/model | Rating |
|--|---|
| Supply voltage | 5 VDC $\pm 10\%$ |
| Consumption current | 30 mA or less (under no load) |
| Detection system | Incremental |
| Resolution (pulses/revolution) | 100, 120, 200, 300, 360, 500 |
| Output phases | Phases A, B, and Z |
| Output phase difference | A, B phase difference $90^\circ \pm 45^\circ$ (T/4 $\pm T/8$) Z phase T $\pm T/2$ (see Output Waveform) |
| Output form | Square wave, open collector output |
| Output capacity | Sink current: 4 mA (output voltage resistance 7V) Residual voltage: 0.4V or less |
| Maximum response frequency | 100 kHz |
| Waveform rise/fall time | 2 μ s or less (output cable 300 mm or less) |
| Allowable load of shaft (electrical) | Radial 1.9 N (200 gf) Thrust 0.98 N (100 gf) |
| Maximum allowable number of revolutions (mechanical) | 6000 r/min |
| Operating ambient temperature/humidity | 0°C to 60°C RH 35% to 90% no dewing |
| Storage ambient temperature | -20°C to 80°C |
| Vibration resistance | Durability 55 Hz, double amplitude 1.5 mm 2 hours each in X, Y, and Z directions |
| Impact resistance | Durability 500 m/s ² (about 50G) 3 times each in X, Y, and Z directions |
| Cable | Vinyl wire (AWG32) Cable length 300 mm |
| Mass | 5 g |



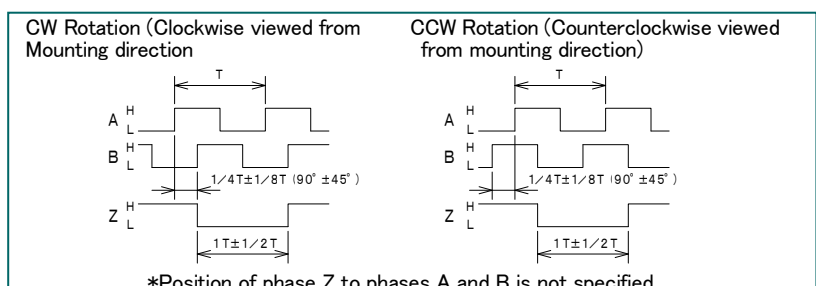
Outside dimensions



Output circuit diagram



Output waveform



EXTCOM EXTCOM Inc.

1-6-12, Yamatohigashi, Yamato-shi Kanagawa 242-0017, JAPAN
Phone: +81-46-200-2011 Fax: +81-46-261-2117
E-Mail: info@extcom.co.jp URL: http://www.extcom.co.jp